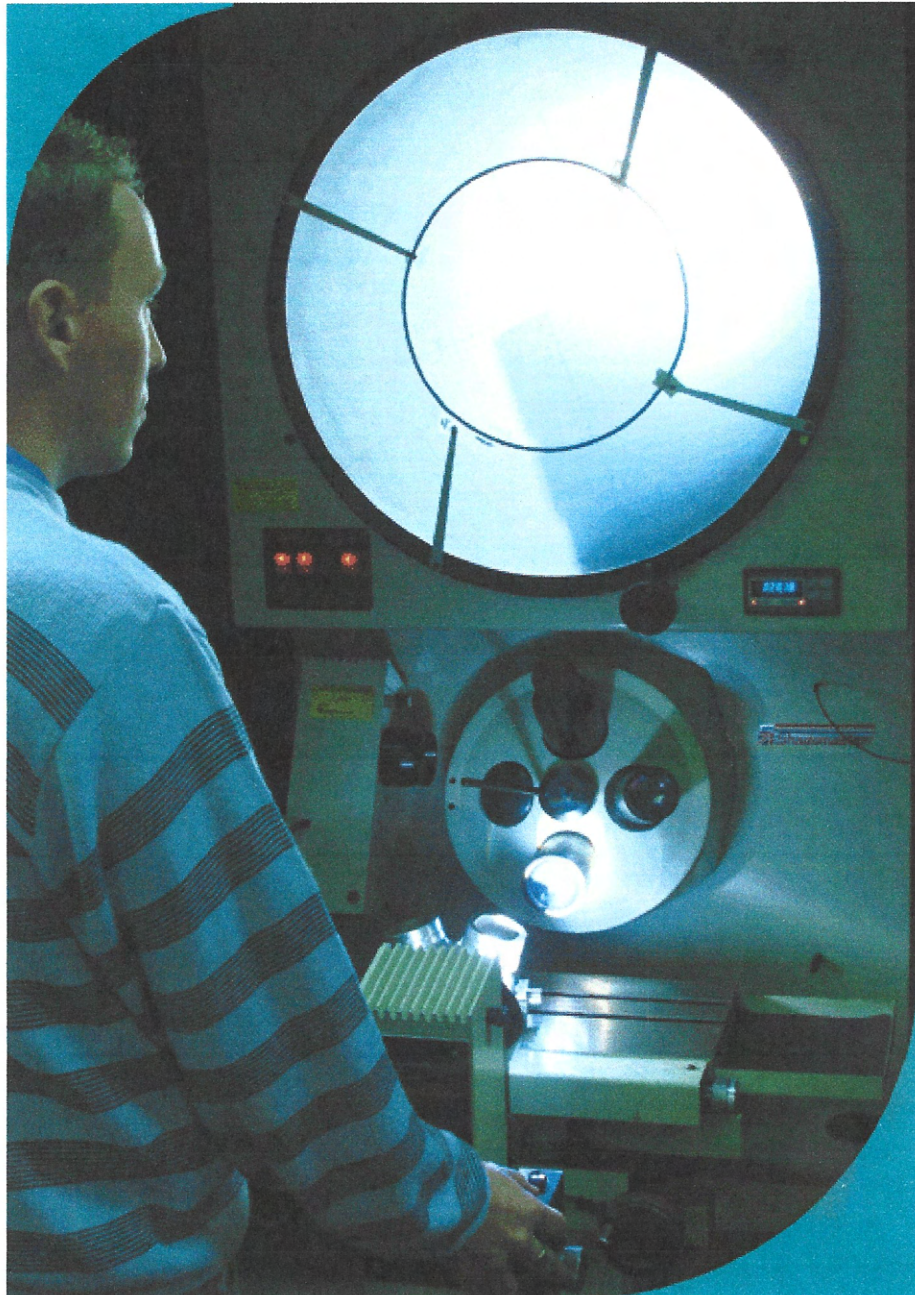
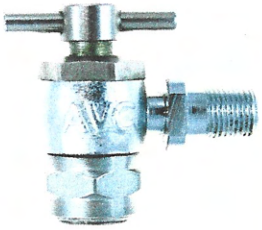
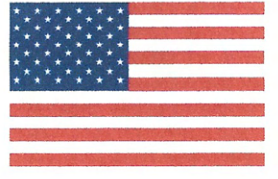


Manufacturers of Standard and Custom Charging Valves



We have been manufacturing HIGH PRESSURE Charging Valves to military and commercial standards since 1983. We also design and manufacture special charging valves to customer requirements or design. Unlike our competitors, our only product line is valves & related support parts for charging valve applications.

We manufacture all our own valve components (except for the seals and o-rings). All metal parts are machined to exact drawing and military spec requirements. This control of both the manufacturing process and the assembly of the valves insure the reliability and integrity of our products and our reputation as a quality manufacturer.

We supply free of charge all material certifications, including chemical and physical test reports. At our company we believe that service to our customers is the first step in being a quality world class supplier. We specialize in working with blanket type orders to meet “Just-in-Time” shipments to our customers.



*OUR PLANT LOCATION IS IN
HAWTHORNE, CALIFORNIA
AND
IS FILLED WITH
EXPERIENCED KNOWLEDGEABLE PEOPLE
COMMITTED TO OUR QUALITY
OUR COMPETITIVE PRICING AND
THE BEST POSSIBLE CUSTOMER SERVICE

*FOR AN ONLINE PLANT TOUR. PLEASE GO TO OUR WEBSTE
usavalvecompany.com

WE WERE FOUNDED IN 1983

OUR MAILING ADDRESS IS:

2029 Verdugo Blvd. #710

Montrose, CA 91020

CUSTOMER SERVICE/ORDER DESK DIRECT:

(559) 312-3105

FOR ALL OTHER INQUIRIES PLEASE CALL OR E-MAIL:

usavalveco@yahoo.com

OUR WEBSITE ADDRESS IS:

usavalvecompany.com

WE'RE ALWAYS READY TO TAKE YOUR ORDER

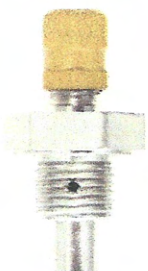


CALL OUR ORDER DESK DIRECT

Monday thru Friday: 8 a.m. to 4 p.m.

HIGH PRESSURE CHARGING VALVES

Bodies constructed of stainless steel for use in high pressure shock absorber struts, hydraulic pressure accumulators, surge cylinders, they all have a .305-32 threads on the inflating end and a 1/2" – 20 thread for connection to the container.



AV812 Charging Valve

For operating pressures up to 2,000 P.S.I.

Conforms to AN-812-1.

This valve has a core that meets AN809

* Optional 4,000 P.S.I. core is available.



AV4361 Charging Valve

For operating pressures up to 3,000 P.S.I.

Conforms to AN-6287-1.

This valve has a core that meets AN809

* Optional 4,000 P.S.I. core is available

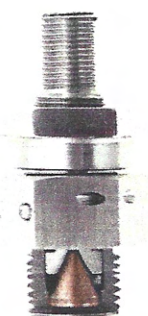


AV798 Charging Valve

For operating pressures

up to 5,000 P.S.I.

Conforms to MS-28889-2.



AV10M Charging Valve

Avalco exclusive (Patented)

For operating pressure up to 10,000 P.S.I.

Conforms to M6164-12

Extra heavy duty construction,

Features our trademark CONICAL COPPER SEAT™

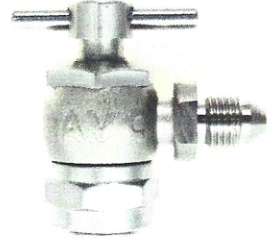
Designed to function 1,000 cycles minimum

HIGH PRESSURE INFLATING CONNECTIONS

These high-pressure inflating connections attach securely to the .305-32 threads of high-pressure valves. It can be fitted to gauging and inflating devices by a variety of methods. Various angles permit easy attachment to hard to reach valves.

AV2755 High Pressure Inflating Connection

Fits .305-32 valve thread with a 3/8-24 thread to fit a 3/16" flare tube fitting, [connection meets MS33656E3](#). Has core depressor pin, and copper sealing washer. Maximum working pressure 5,000 PSI



AV556 High Pressure Inflating Connection

Fits .305-32 valve thread with a 1/8" NPT male connection. Has core depressor pin, and copper sealing washer. Maximum working pressure 5,000 PSI



AV6116 High Pressure Inflating Connection

Fits .305-32 valve thread with a 1/8" NPT female connection. Air line connection is 70° to the axis of the valve. Has a fiber sealing washer. Maximum working pressure 3,000 PSI



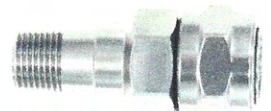
AV5007 High Pressure Inflating Connection

Fits .305-32 valve thread with a 7/16-20 thread to fit a 1/4" flare tube fitting connection has swivel type construction to prevent kinking of tube or hose while tightening and has a copper sealing washer. Maximum working pressure 15,000 PSI



AV5008 High Pressure Inflating Connection

Fits .305-32 valve thread with a 1/8" NPT female connection has swivel type construction to prevent kinking of tube or hose while tightening and has a copper sealing washer. Maximums working pressure 15,000 PSI



TANK VALVES

Bodies constructed from 303 stainless steel. All have .305-32 threads on the inflating end

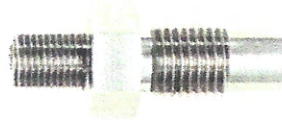
AV 300 Stainless Steel Tank Valve

Designed to be used with an internal valve core.

Conforms to SAE #3

3/8-24 threads

1/2" hex wrench flats



AV 500 Stainless Steel Tank Valve

Designed to be used with an internal valve core.

Conforms to SAE #5

1/2-20 threads

5/8" hex wrench flats



AV 700 Stainless Steel Tank Valve

Designed to be used with an internal valve core.

1/8 NPT threads

7/16" hex wrench flats



BLEEDER VALVES

Used for quick and easy way to evacuate air from the system

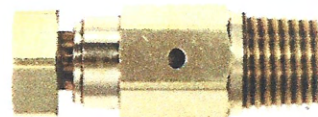
AV125B

Made from Brass. 7/16 wrench flats,
1/8 NPT threads. 1" overall



AV250B

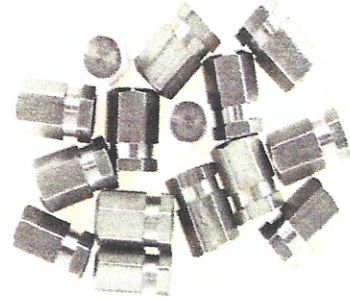
Made from Brass. 9/16 wrench flats,
1/4 NPT threads. 1-5/8 overall length



Heavy Duty Valve Caps

AV 813SS

Our stainless steel version of the standard yellow MS Valve Cap is designed for heavy-duty use in Harsh environments, and is longer in length to protect more of the valve threads. Max working pressure 20,000 PSI



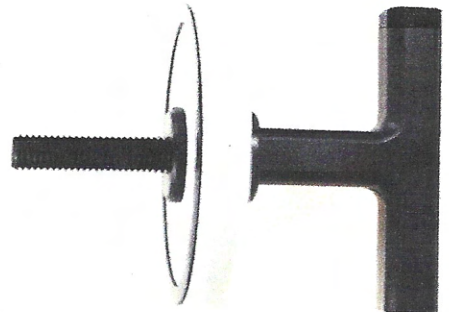
STANDARD BRASS VALVE CAPS

All of our valves come with a standard yellow MS 20813 valve cap which is a Q.P.L. item. We secure Q.P.L. items only from qualified Q.P.L. manufacturers and we can supply them in a variety of colors.



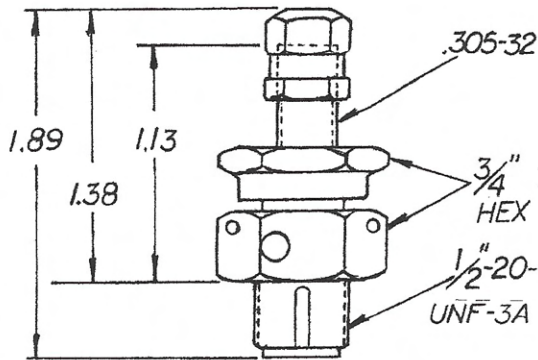
AGRICULTURAL VALVE CAPS

Available in 3", 3 1/2", and 4" sizes
Construction made from all non-metal
Rust proof polymer. Universal design
Fits both Fresno valves and Waterman valves.



MS28889-2

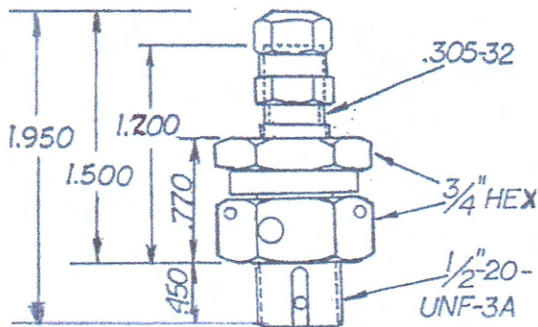
*Manufactured to Military specifications made from stainless steel.
They have 1/2 -20 class 3A threads for connection to the container.*



**Standard
MS28889-2
Working Pressure
5,000 psi**

AV10K

*Manufactured to Military specifications made from stainless steel.
They have 1/2 -20 class 3A threads for connection to the container.*

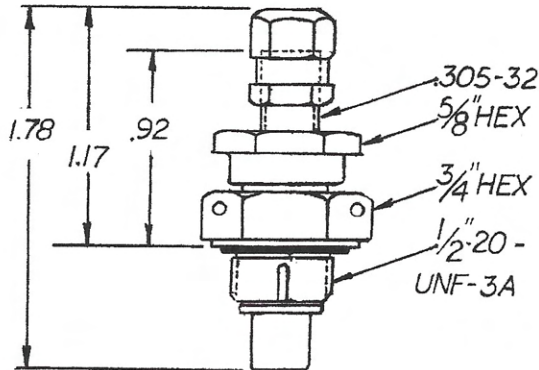


**Standard
Mil-V-6164-12
Working Pressure
10,000 psi
(14, 000 P.S.I. Maximum)
*With some Exceptions**

*AV10K (patent pending) is the most heavy duty charging valve made. It features an extra heavy duty swivel nut with thicker walls and wider flats. The main body is heavier and has one extra thread. The internal stem is more rigid and most important it comes equipped with our trademarked "**Conical Copper Seat™**" which allows the valve to cycle over 1,000 opening and closing cycles, this **conical copper seat** gives this valve more reliable sealing and more sealing cycles, and make this valve the most economical charging valve made because its operational life is at least 10 times longer than that of any other valve we sell.*

AN6287-1

Manufactured to aeronautical specifications made from stainless steel. They have 1/2 - 20 class 3A threads for connection to the container. Assembly includes High pressure valve cap per MS 20813-1, and an internal valve core per AN809-1, available with an optional 4,000 psi valve core.

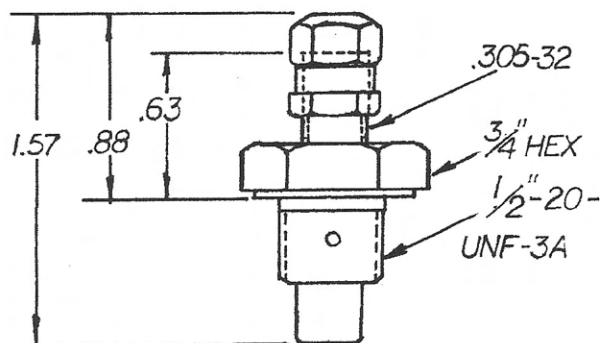


Standard
AN6287-1

Working Pressure
3,000 psi with an
optional core
4,000 psi

AN812

Manufactured to aeronautical specifications made from stainless steel. They have 1/2 - 20 class 3A threads for connection to the container. Assembly includes High pressure valve cap per MS 20813-1, and an internal valve core per AN809-1, available with an optional 4,000 psi valve core.



Standard
AN812

Working Pressure
2,500 psi with an
optional core
4,000 psi

HIGH PRESSURE INFLATING CONNECTORS

Our No.	Schrader No.	Fits Thread Size	Air Line Connection	Max. Pressure Rating	Configuration	Features
AV556	556	.305-32	1/8" NPT Male	5,000	Air line connection 90° to axis of valve	Has core depressor pin Copper sealing washer
AV2755	2755	.305-32	3/8"-24 thread for 3/16" flare tube fitting, meets MS-33656E4	5,000	Air line connection 90° to axis of valve	Has core depressor pin, copper sealing washer.
AV6116	6116	.305-32	1/8" NPT Female	3,000	Air line connection 70° to axis of valve	Hard fiber sealing washer
AV5007	5007	.305-32	7/16"-20 thread for 1/4" flare tube fitting, meets MS-33656E4	15,000	Straight short air line connection	Copper sealing washer.
AV5008	5008	.305-32	1/8" NPT Male	15,000	Straight short air line connection	Copper sealing washer

* It may be necessary to replace sealing washers after a number of uses to ensure a good seal at the valve mouth.

Our Exclusive:

All Stainless Steel Components: Only our company's inflating connectors are made with all stainless steel components. This makes our inflating connectors corrosion proof.

At the time of this printing, all of our competitors made their inflating connector components from plain steel; which of course corrodes (rusts).

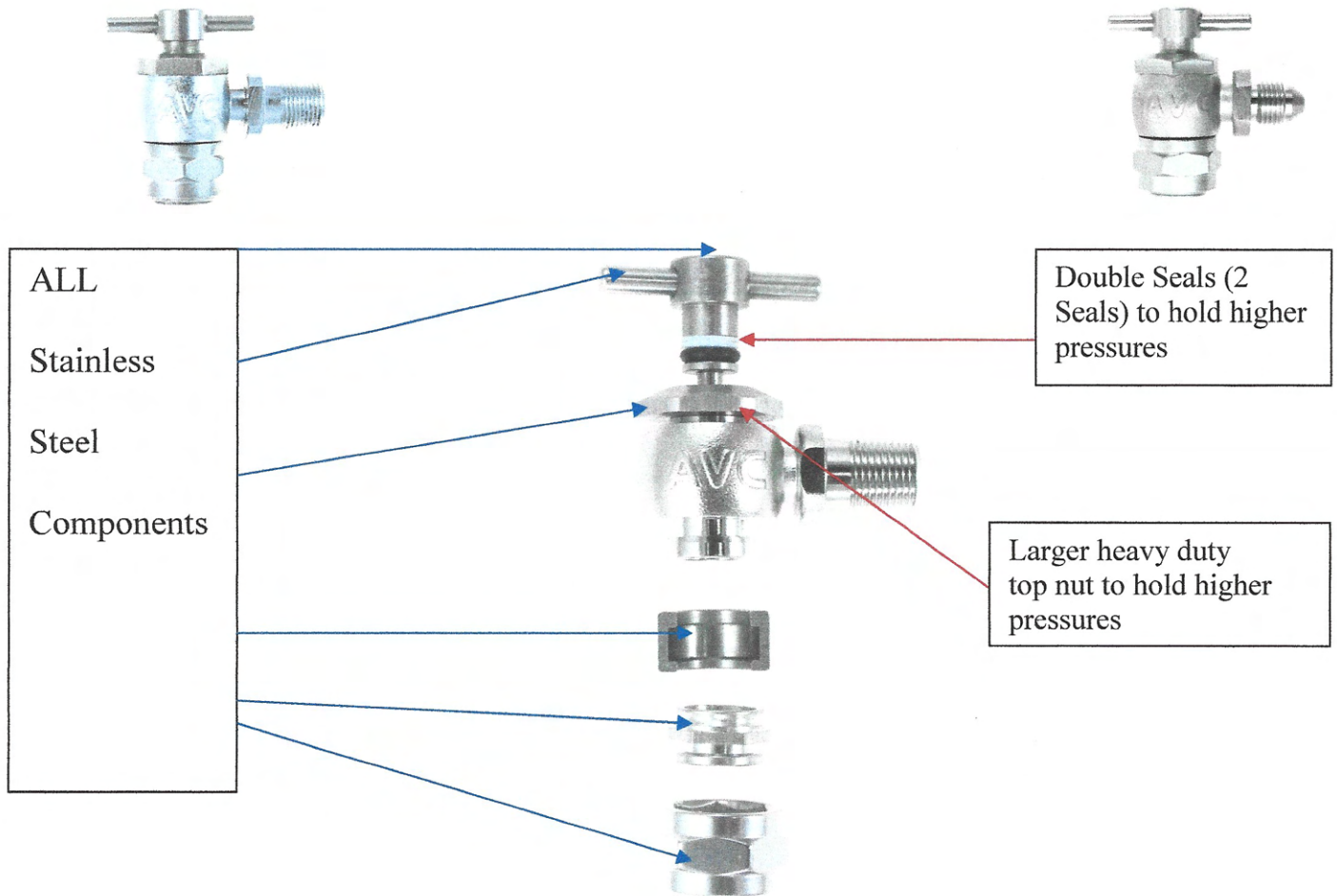
Extra Heavy Duty construction and double stem seals allow our AV556 and AV2755 Air Chucks to be rated 5,000 P.S.I.

All stainless (except for the sealing washer and brass body) on AV556, AV2755 and AV6116

All stainless (except for the copper seat) on AV5007 and AV5008

AIR CHUCKS / INFLATING CONNECTORS

WHY OURS ARE BETTER

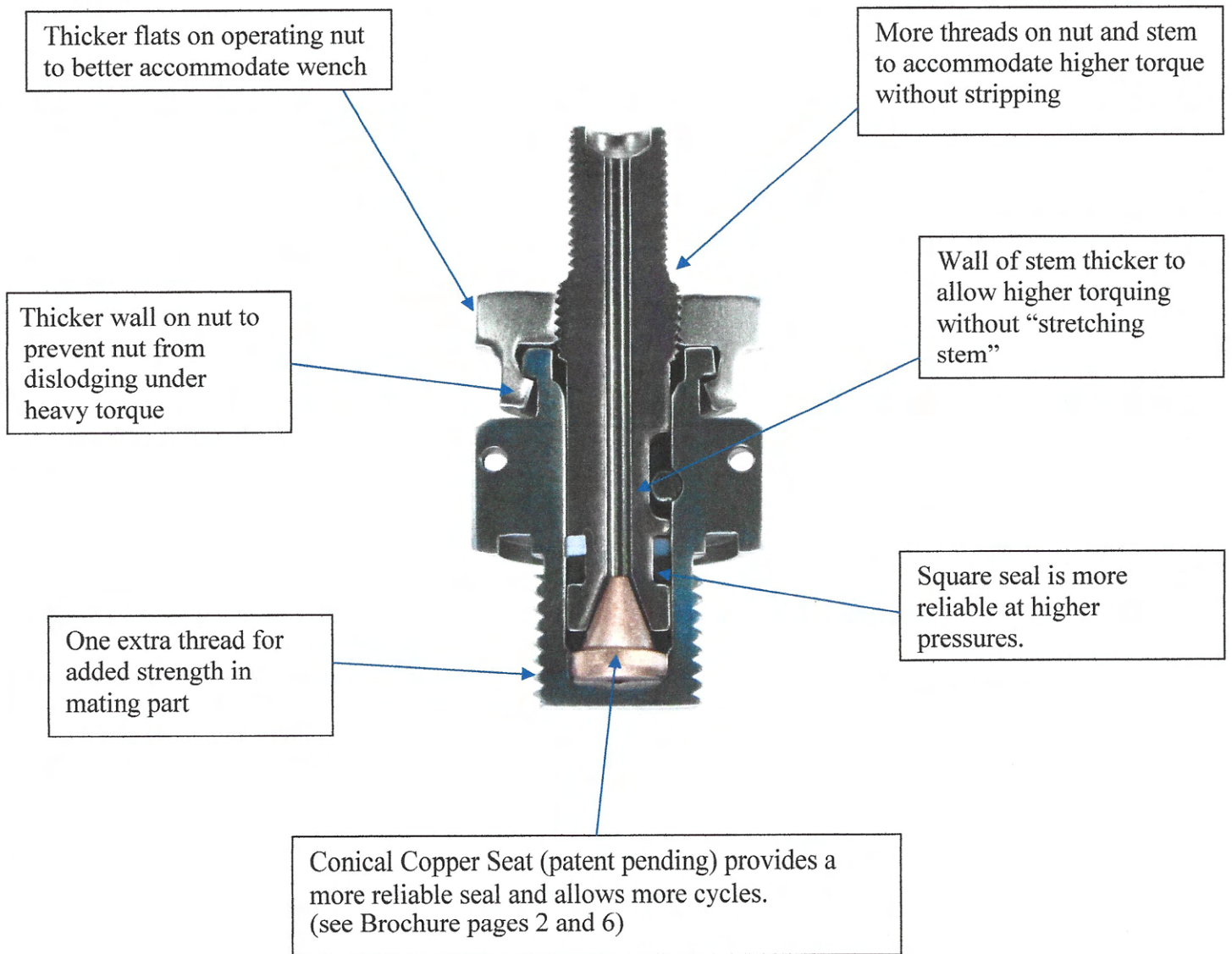


- ✓ Rated to 5,000 psi
- ✓ All stainless steel components (except main body and seals)
- ✓ Corrosion proof
- ✓ Heavy duty construction for longer service life.

Optional: **STAINLESS STEEL THREADED INSERT**

Increases functional life
Increases Torque capacity
Cost less in the long run due to longer service life

*AV10K
OUR COMPANY'S SUPER HEAVY DUTY
10,000 psi CHARGING VALVE



*14,000 P.S.I. Maximum

*With some Exceptions

United States of America

United States Patent and Trademark Office

CONICAL COPPER SEAT

Reg. No. 3,707,216 AVALCO INCORPORATED
Registered Nov. 3, 2009 2029 VERDUGO BLVD.#710
MONTROSE, CA 91020

Int. Cl.: 6 FOR: MANUALLY OPERATED METAL VALVES CONTAINING COPPER, IN CLASS 6 (L
CLS. 2, 12, 13, 14, 23, 25 AND 50).

TRADEMARK FIRST USE 6-1-2008: IN COMMERCE 6-1-2008.
SUPPLEMENTAL REGISTER

SER. NO. 77-752,569, FILED P.R. 6-4-2009; AM. S.R. 9-4-2009.

MAYUR VAGHANI, EXAMINING ATTORNEY



David J. Kyros

Director of the United States Patent and Trademark Office

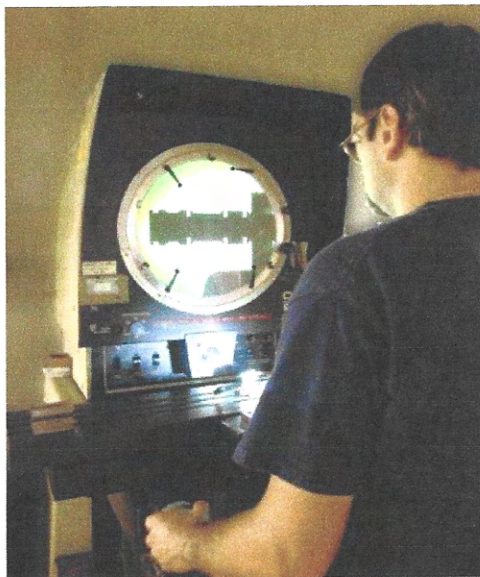
Quality Control



Valves are tested in submersion tanks at their operating pressure to ensure product reliability and trouble-free performance

Our Quality Control system meets the following Specification:

ISO-9001-2008 & MIL-I-45208 and we are approved by most major prime contractors.



Checking and double checking visually on optical comparators as well as bench checking using standard inspection methods throughout the entire manufacturing process is standard procedure for all items manufactured by our company.

PART NUMBER CROSS REFERENCE GUIDE

OUR	SCHRADER	DILL	STD	DESCRIPTION	PAGE
AVCV812	7607AH	SK15171	AN-812-1	Charging Valve	2, 7
AV798	798	9019C	MS-28889-2	Charging Valve	2, 6
AV4361	436S	8990C	AN-6287-1	Charging Valve	2, 7
AV10K	N/A	N/A	M-6164-12#	Charging Valve	2, 6, 10
AV813SS	2525	637	MS-20813-1	High Pressure valve cap	5
AVCC556	556	8921		High pressure inflating connection	3, 8, 9
AVCC2755	2755	9043	MS-33656E3*	High pressure inflating connection	3, 8, 9
AVCC6116	6116	SK2043C		High pressure inflating connection	3, 8
AVCC5007	5007	N/A	MS-33656E4*	High pressure inflating connection	3, 8
AVCC5008	N/A	N/A		High pressure inflating connection	3, 8
AVTV300	N/A	N/A	SAE # 3	Tank Valve	4
AVTV500	N/A	N/A	SAE # 5	Tank Valve	4
AVTV700	N/A	N/A		Tank Valve	4
AV125B	N/A	N/A		Bleeder Valve	4
AV250B	N/A	N/A		Bleeder Valve	4

*Also meets fitting connections AS4395-3, AS4395-4 respectively

OUR QUALITY GUARANTEE

We will always stand behind our products 100%.
If at any time, any customer finds any manufacturing defects in parts made by us we will replace them at no cost.

OUR PRICE GUARANTEE

*We will beat any competitor's price by at least 5%
on any product we make, no matter what!
No IFS, ANDS, OR BUTS!*

We have made a sincere effort to describe the products in this catalog accurately. However, descriptions, illustrations, and photos are for identification and decorative purposes only and not intended to imply a warrantee of function, fit, or purpose of the product.